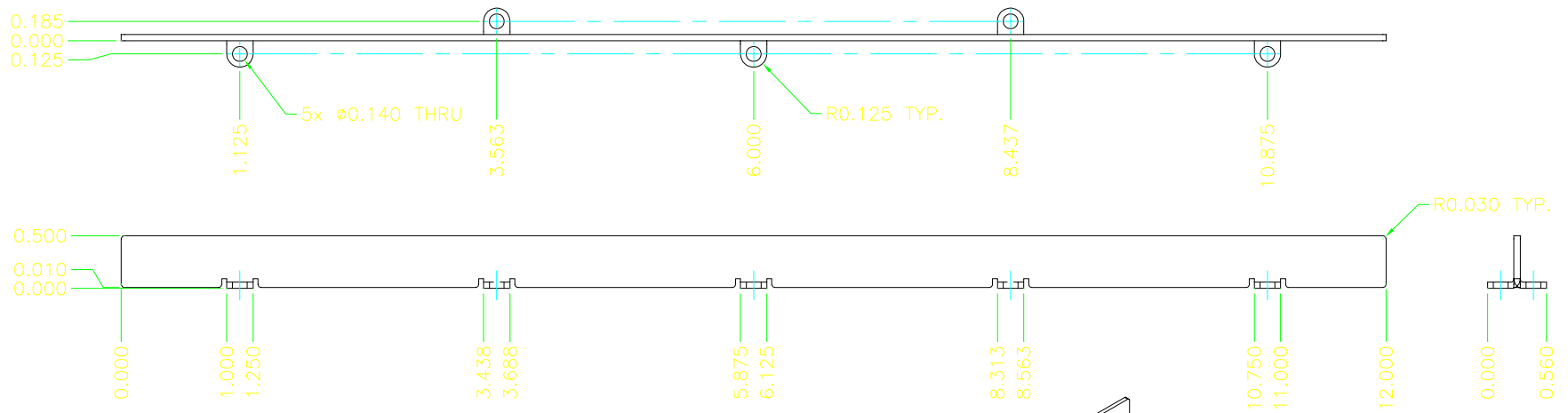


REVISION HISTORY					
ZONE	REV	REVISION DESCRIPTION	DATE	ECO	APPROVE
-	A	PROTOTYPE RELEASE	11/21/01		



DRAWN BY: G. DUTKOVSKY
 SHEET 1 OF 1
 REV A

NOTES: UNLESS OTHERWISE SPECIFIED.

1. MATERIA: ALUMINUM 0.060" THICK.
2. FINISH/PAINT: CLEAR ALODINE.
3. BREAK AND DEBUR ALL SHARP EDGES.
4. PART TO BE FREE OF SCRATCHES AND BLEMISHES.
5. MINIMUM BEND RELIEF AND RADIUS ALL PLACES, UNLESS NOTED.

UNLESS OTHERWISE SPECIFIED		DRAWN G. Dutkovsky		DESCRIPTION		QTY	
.X ±		CHECKED		ComSysDes LLC. 39380 Monterey Way Fremont, CA 94538 (510) 792-1760 http://www.comsysdes.com			
.XX ± .01		APPROVED					
.XXX ± .005							
.XXXX ±		THIRD ANGLE PROJECTION		CUSTOMER		CUSTOMER	
X.X" ± 1"		INTERPRET DIM AND TOL PER ANSI Y14.5M		PROJECT		CONTRACT	
				FILE STIFFENER		ASSY PART OF ASSEMBLY	
				SIZE B UNITS INCHES		CAGE	
				CAD FORMAT MDT-6 PP		SCALE 1"=1"	
				DWG 123-45678-00		DWG REV A	
				SHEET 1 OF 1			